

**DUVET COVERS** (Standard 110cm x 80cm - all with white percale backing)

<p><b>Style A</b> Percale Centre panel with embroideries Gingham or stripe top &amp; bottom</p>	<p><b>Style B</b> Top 2 thirds Percale with embroideries Bottom third Gingham or Stripe</p>	<p><b>Style C</b> Full Percale with Inserts in Gingham or Stripe Embroideries in centre panel</p>	<p><b>Style D</b> Top third Percale Bottom 2 thirds Gingham or Stripe Appliques on Seam</p>
---	---	---	---

(All styles have the option of replacing the Percale panels as above, with Gingham or Stripe)

**PADDED BUMPERS/BUMPER COVERS**

<p><b>Style A</b> Half Gingham or Stripe. Half Percale. No embroidery</p>	<p><b>Style B</b> Full Gingham, Chambray or Stripe. No embroidery</p>	<p><b>Style C</b> All Percale with piping in Gingham or Stripe</p>	<p><b>Style D</b> Percale centre panel with embroideries. Sides in Gingham or Stripe</p>
---	---	--	--

**Padded Bumper: 200cm x 30cm**  
**Bumper Cover: 200cm x 25cm**  
 (To fit Baby City Universal bumper inner)

Add extra R45 per embroidery

**PILLOW CASES** (30x22) - Fits Easy Breath pillow inner

<p><b>Style A</b> All Gingham or Stripe No embroidery</p>	<p><b>Style B</b> Percale with embroidery Gingham or Stripe Panel</p>	<p><b>Style C</b> Percale with embroidery Oxford flap in Gingham or Stripe</p>
---	---	--

**SCATTER CUSHIONS** (40x40) - PIPED

<p><b>Style A</b> Full - no embroidery</p>	<p><b>Style B</b> Percale with embroidery</p>	<p><b>Style C</b> Percale blocks with embroideries Gingham/Stripe blocks</p>
--	---	--

**NAPPY STACKERS**

<p><b>Style A</b> All Percale Gingham or Stripe Insert One embroidery</p>	<p><b>Style B</b> Gingham or stripe top and insert No embroidery</p>
---	--

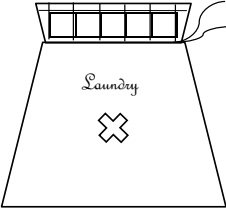
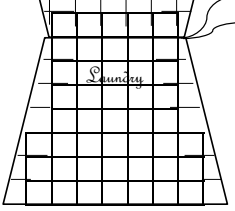
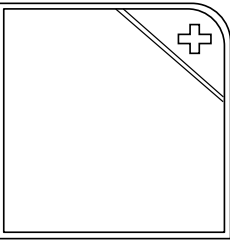
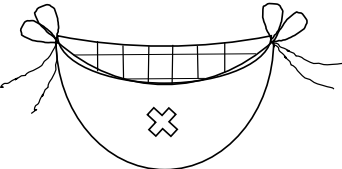
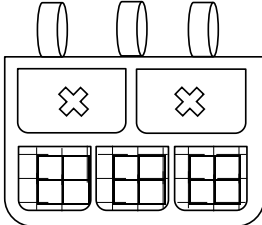
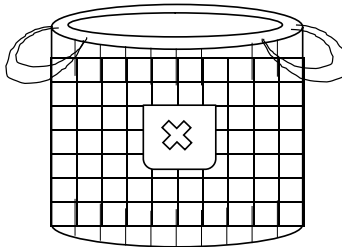
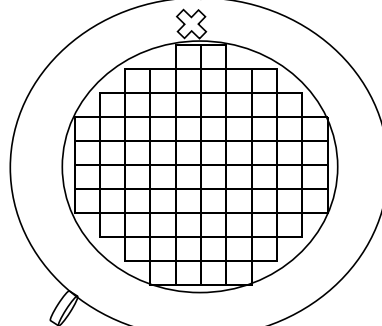
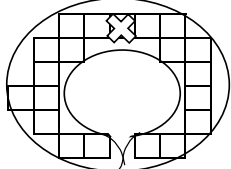
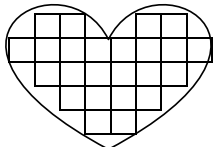
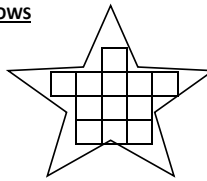
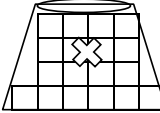
**CHANGING MAT COVERS**

Towelling with Gingham or Stripe insert and embroidery

(To fit Baby City Large Change mat)

**BOLSTER CUSHIONS**

<p><b>Style A</b> Percale with embroidery Gingham or Stripe insert</p>	<p><b>Style B</b> All Gingham or Stripe No embroidery</p>
--	---

<p><b>LAUNDRY BAGS</b></p> <p><b>Style A</b> Percale with Gingham/Stripe top One embroidery</p> 	<p><b>Style B</b> All Gingham/Stripe No embroidery</p> 	<p><b>HOODED TOWEL</b></p>  <p>(Bias and hood in Gingham or Stripe)</p>	<p><b>COT TIDY</b></p>  <p>Percale with Gingham/Stripe inner and 1 embroidery</p>
<p><b>NURSERY ORGANISER</b></p> <p>Percale backing with 2 top pockets with embroidery 3 bottom pockets in Gingham/Stripe</p>  <p>Can be hung from the cot or from a rod on the wall</p>	<p><b>TOY BARREL</b></p> <p>Gingham/Stripe outside with plain inside Percale pocket with embroidery</p> 	<p><b>DONUT</b></p> <p>Gingham/stripe centre Plain border with embroidery</p> 	
<p><b>FEEDING CUSHION (WITH REMOVABLE COVER)</b></p>  <p>All priced on gingham/stripe /plain</p>	<p><b>NOVELTY PILLOWS</b></p> <p><b>HEART</b></p>  <p><b>STAR</b></p>  <p>Can be personalised at an extra R65</p>		<p><b>LAMP SHADE</b></p>  <p>Gingham/stripe/plain with embroidery</p>

**PLEASE NOTE:**

When ordering, please specify which fabric should be used where

Custom made items are one of a kind and manufactured according to the client's specifications, and returns will not be possible

Pricing is based on fabric choice and style selection, if not selecting standard styles (Percale \*)